

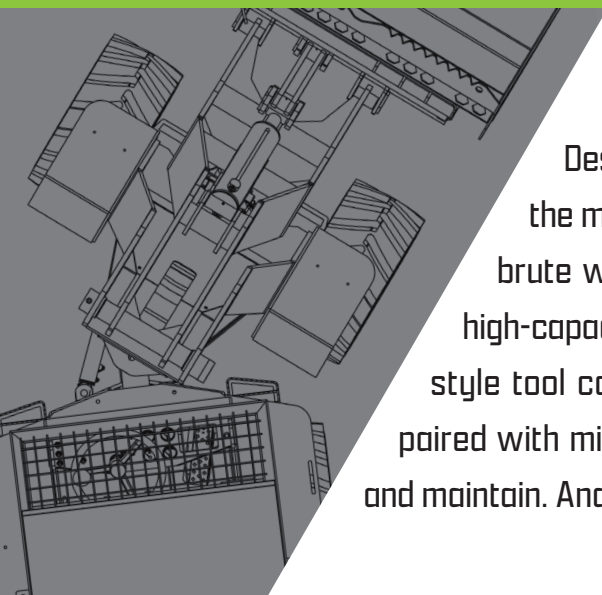


Introducing the
ArborPro
525
Compact Articulated Loader

| PREMIUM KUBOTA V1505 | 24.8HP | 4-CYL | TIER 4 |

Built for the Way YOU Work!

Designed specifically for the professional arborist, the ArborPro 525 is the machine you've been asking for—a smaller, uncomplicated, tool-carrying brute with add-on accessories to make your job easier! The 525 boasts a high-capacity aluminum oil cooler; a larger aluminum radiator; and a skid steer-style tool coupler. The mechanically controlled engine and hydraulics system, paired with minimal electrical components make the 525 reliable and easy to repair and maintain. And, it's rugged, indestructable housing is built with solid, U.S. steel.



ArborPro 525

COMPACT ARTICULATED LOADER

JUST WHAT YOU ASKED FOR...

- **Premium Kubota V1505**, high-torque, 24.8 hp diesel with 68.3 ft-lbs of torque easily powers the 525 through the roughest terrain.
- High-performing, single speed hydrostatic transmission offers considerable low-end torque.
- Equipped with a standard, skid steer-style quick-attach coupler, giving you endless tool options.
- Articulated steering provides quick and easy maneuverability with minimal ground disturbance.
- The operator station is equipped with a rocker foot pedal, and an adjustable suspension seat with arm rests, for all-day comfort.
- Durable, Hummerbee Soft Cab is available for protection against the elements.

Tough as an Axe

- Mechanically controlled diesel engine and hydraulic system.
- Strong housing panels, fabricated from solid US steel provide maximum impact resistance.
- No plastic or thin gauge external material to bend or break under harsh working conditions.
- Recessed light bar, integrated into ROPS structure eliminates catch points to prevent breakage.
- Durable, boxed-in fender lights provide maximum brush protection, and high tool visibility in low-light conditions.
- Built with the sturdiest engineered loader arm in its class, the 525 can withstand a lifetime of use and abuse.
- Thanks to a large, all-aluminum radiator and high-capacity oil cooler, a small, engine-driven cooling fan can be utilized. Thus, minimizing parasitic draw from the engine while reducing radiator clogging.
- Multiple tire traction options are available to suit specific terrains. Tires can also be filled with RimGuard[®] corrosion-resistant beet juice for increased ballast or TyrFil[®] puncture-resistant foam.
- The 525 is engineered to operate using minimal electrical components. Which translates to fewer malfunctions, less headaches, and more uptime.
- Easy to access components make maintenance and repairs a breeze in the shop or on the jobsite.

Custom Tree Care Features

- Chainsaw Holster/Mount
- Rigging Ballard
- Hitch Ball Mount
- Wheel-mounted Anchors
- Articulating Joint Lock
- Toolbox



Specifications

Engine:	Kubota V1505, 1.5L, 4-Cyl., Tier 4 Final
Horsepower:	24.8 hp @ 2,600 RPM
Torque:	68.3 Ft-Lbs @ 1,700 RPM
4WD Transmission:	Single Speed
Maximum Speed:	10
Fuel Capacity:	15 gal Tank
Hydraulic Oil Capacity:	15 gal Tank (13 gal max fill level)
Aux. Hydraulics Flow:	16 GPM - Single Remote
Total Weight:	4,510 lbs. w/Pneumatic Ag Tires
Overall Length:	113" w/o Bucket
Overall Width:	55" w/Standard Tires
Overall Height:	91"
Tipping Load With Counterweight:	
At Tool Carrier:	3,200 lbs.
12" Load Center:	2,500 lbs.
Tipping Load Without Counterweight:	
At Tool Carrier:	2,300 lbs.
12" Load Center:	1,900 lbs.
Lift Height:	102" (to Hinge Pin)
Ground Clearance:	7" from Ground to Transfer Case
Standard Tires:	26x12.50x12; Ag; Pneumatic
Turning Radius:	42 Inches
Frame Oscillation:	+/-8 Degrees
Wheel Base:	53"



(800) 943-8677

www.hummerbee.com | info@hummerbee.com

200 Quicksilver Lane | Edmore, MI | 48829

